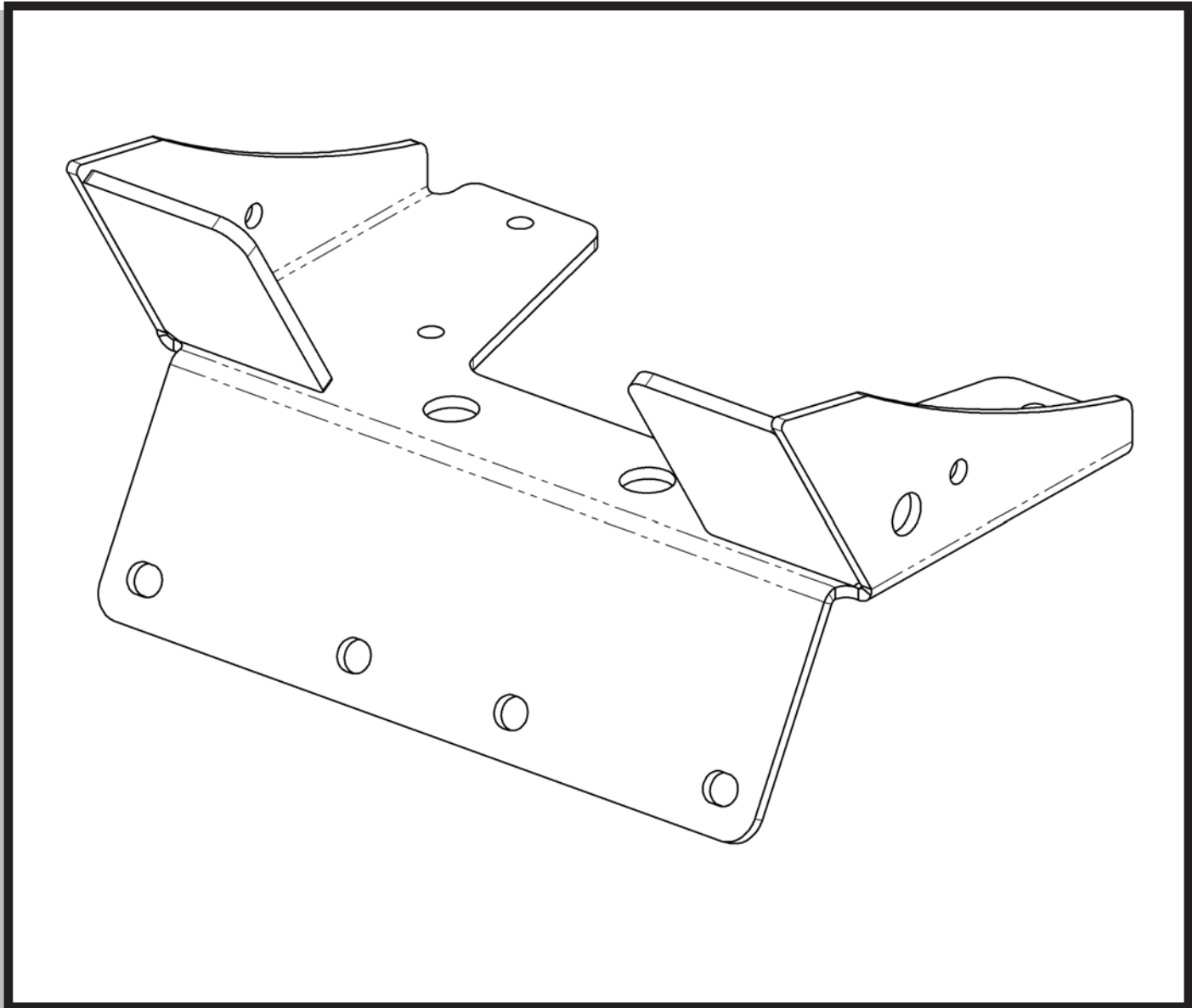




46-3006-03

SUPERSPORT FENDER KIT

KAWASAKI NINJA 250R
2008



PARTS INCLUDED

Ref.	Part Number	Description	Qty
1)	00-300-01152	Supersport Fender Bracket	1
2)	01-4006-27	Flat Washer, 3/8", Zinc	2
	46-0001	License Plate Bolt Light Kit (Optional, Available Separately)	

REV. A
08-50-44438

46-3006-03

SUPERSPORT FENDER KIT

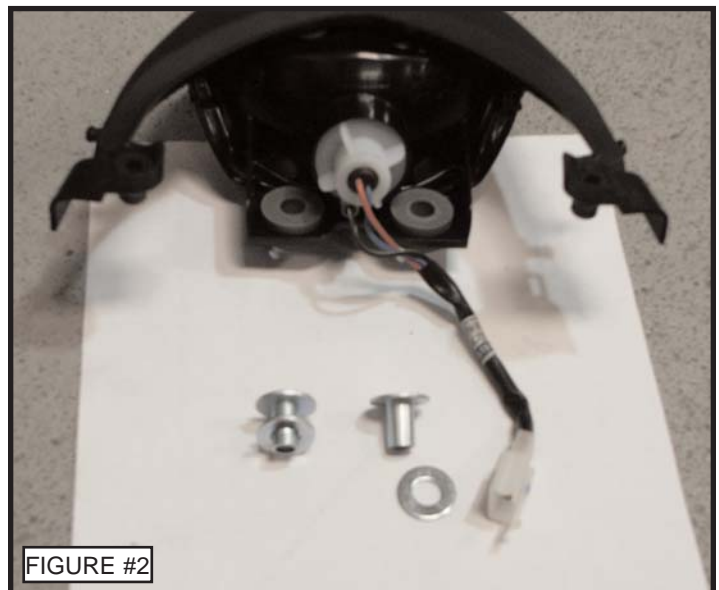
**KAWASAKI NINJA 250R
2008**

TOOLS REQUIRED

Ref.	Description	Ref.	Description
1)	3/8" Drive Ratchet	5)	12mm Socket
2)	6" Extension	6)	10mm Wrench
3)	4mm Allen Socket	7)	Soldering Iron (optional)
4)	10mm Socket	8)	Wire Cutters (optional)

INSTALLATION INSTRUCTIONS

- 1) Using the key, unlock and remove the rear cowl.
- 2) Remove the screw securing the right side cover to the motorcycle. Carefully pull the cover away from the motorcycle and set aside. Repeat on the opposite side. (Fig. 1)
- 3) Remove the two bolts securing the rider seat to the motorcycle. Remove the seat.
- 4) Remove the 6 bolts securing the rear plastic to the sub frame. Carefully unsnap and remove the plastic.
- 5) Unplug the rear turn signal wires, tail light wire, and license plate light wire.
- 6) Remove the two bolts securing the tail light assembly to the motorcycle. Remove the tail light.
- 7) Remove the four bolts securing the rear fender assembly to the motorcycle. Remove the complete assembly.
- 8) Make note of the right and left turn signal wire colors. Remove the screw securing each turn signal to the fender assembly. Remove the turn signals.



46-3006-03

SUPERSPORT FENDER KIT

**KAWASAKI NINJA 250R
2008**

- 9) On the tail light assembly... Remove the two steel sleeve spacers from the rubber grommets. Place one supplied washer on each spacer and reinstall the spacers into the rubber grommets. (Fig. 2)
- 10) Install the supersport fender bracket to the sub frame using the four original bolts from the stock rear fender. (Fig. 3)
- 11) Mount the tail light to the supersport fender bracket using the two original bolts, and the original nuts from the stock rear fender. Reconnect the tail light plug.
- 12) Mount the turn signals to the supersport fender bracket. Reconnect the turn signal plugs.
- 13) Reinstall the rear plastic to the motorcycle.
- 14) Reinstall the rider seat.
- 15) Reinstall the side covers.
- 16) Reinstall the rear cowl.
- 20) Turn on the motorcycle and check to make sure the turn signals and tail light are operating properly.

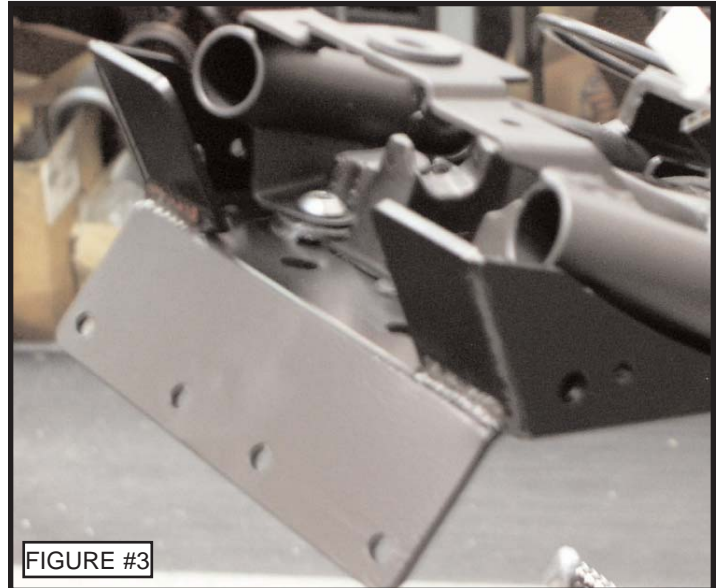


FIGURE #3

LICENSE PLATE BOLT LIGHT INSTALLATION (optional, available separately)

- 1) Use the license plate bolt lights to mount your license plate to the Supersport Fender Bracket.
- 2) Locate the now unused license plate light wires inside the tail section.
- 3) Cut and strip the two wires used to power the stock license plate light.
- 4) Attach both the red wires from the license plate light bolts to one of the stripped license plate light wires. Solder the connection and cover.
- 5) Attach both the black wires from the license plate light bolts to the second of the stripped license plate light wires. Solder the connection and cover.
- 6) Turn on the motorcycle and ensure that all lights are working properly prior to riding.